



Part no.: 429394
BT-2HF-S
Mounting bracket set

Figure can vary

Contents

- Technical data
- Dimensioned drawings

Part no.: 429394 – BT-2HF-S – Mounting bracket set

Technical data

Basic data

| | |
|--------------|---|
| Contains | 1 cylinder for mounting on the light curtain 2x BT-HF swivel mount |
| Suitable for | MLC 500, MLC 300 safety light curtains |

Mechanical data

| | |
|------------------------------|-----------------------|
| Type of fastening, at system | Through-hole mounting |
| Type of fastening, at device | Clampable |
| Type of mounting device | Turning, 360° |
| Mounting device material | Metal Plastic |

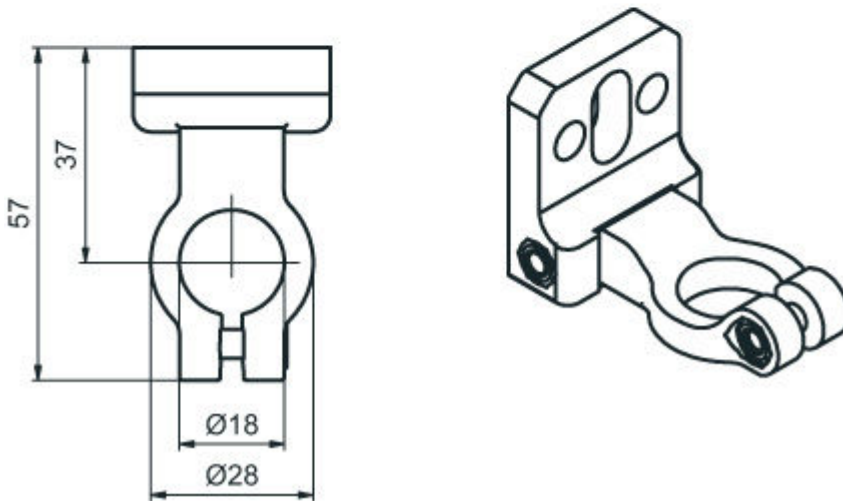
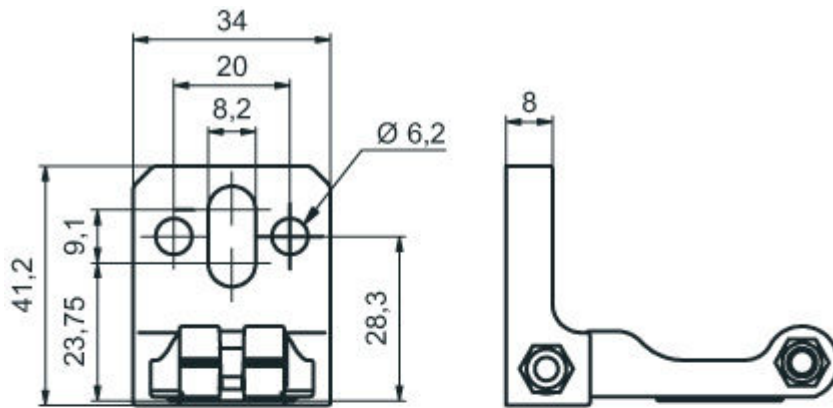
Classification

| | |
|-----------------------|----------|
| Customs tariff number | 76169990 |
| eCl@ss 8.0 | 27279202 |
| eCl@ss 9.0 | 27273701 |
| ETIM 5.0 | EC003015 |
| ETIM 6.0 | EC003015 |

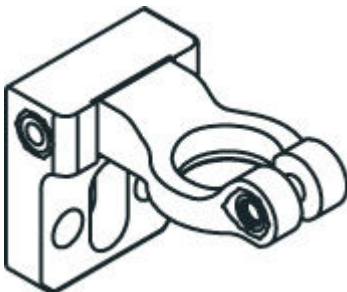
Dimensioned drawings

All dimensions in millimeters

BT-HF swivel mount



Mounting variant



Part no.: 429394 – BT-2HF-S – Mounting bracket set

BT-HF swivel mount with vibration damper

