



Figure can vary

Part no.: 63000303  
**S300-M13C3-M20-31**  
Safety position switch



## Contents

- Technical data
- Dimensioned drawings
- Electrical connection
- Circuit diagrams
- Notes

Part no.: 63000303 – S300-M13C3-M20-31 – Safety position switch

## Technical data

<b>Basic data</b>	
Series	S300
<b>Functions</b>	
Functions	Integration in control circuits up to category 4 in accordance with EN ISO 13849 Locking device without guard interlocking according to ISO 14119
<b>Characteristic parameters</b>	
Mission time $T_M$	20 years , EN ISO 13849-1
B10 <sub>d</sub>	40,000,000 number of cycles
<b>Electrical data</b>	
Usage category at DC 13	Ue / Ie: 24 V / 6 A, 125 V / 1.1 A, 250 V / 0.4 A , EN 60947-5-1
Usage category at AC 15	Ue / Ie: 250 V / 6 A, 400 V / 4 A, 500 V / 1 A , EN 60947-5-1
Contact allocation	2NC + 1NO
Contact opening	Force-fit
Short circuit protected	500 V, 10 A, type aM , IEC 60269-1
Contact protection	Earthing
<b>Performance data</b>	
Rated insulation voltage	400 V AC, 500 V DC
Conventional thermal current, max.	10 A
<b>Connection</b>	
Number of connections	1 Piece(s)
Number of cable entries	3 Piece(s)
<b>Connection 1</b>	
Type of connection	Terminal
Function	Contact connection
Type of terminal	Screw terminal
No. of pins	6 -pin
<b>Cable properties</b>	
Connection cross sections	1 x 0.34 mm <sup>2</sup> to 2 x 1.5 mm <sup>2</sup> , wire
<b>Mechanical data</b>	
Design	Cubic
Dimension (W x H x L)	56 mm x 33 mm x 88 mm
Housing material	Metal , ZAMAK
Electrical contact material	Silver alloy
Net weight	303 g
Housing color	Gray
Type of fastening	Through-hole mounting
Type of cable entry	M20 x 1.5
Switch type	Interlock device without guard interlocking , ISO 14119
Switching principle	Slow-action contact
Switching direction	Both sides One side
Approach actuation directions	360° 4 x side (90°)

## Part no.: 63000303 – S300-M13C3-M20-31 – Safety position switch

Approach speed with angle of approach of 15°	0.009 ... 2.5 m/s
Approach speed with angle of approach of 30°	0.008 ... 1.5 m/s
Approach speed with angle of approach of 45°	0.007 ... 1 m/s
Approach speed with angle of approach of 60°	0.007 ... 0.75 m/s
Mechanical life time	20,000,000 actuation cycles , IEC 6047-5-1 switching cycles
Actuation frequency, max.	3,600 per hour , IEC 6047-5-1
Actuator	Roll actuator with lever
Actuator width	20 mm
Actuator length	40 mm
Actuation force, min. (torque)	0.1 N·m
Actuator mount	Long

### Environmental data

Ambient temperature, operation	-25 ... 80 °C
Degree of contamination	3 , EN 60947-1

### Certifications

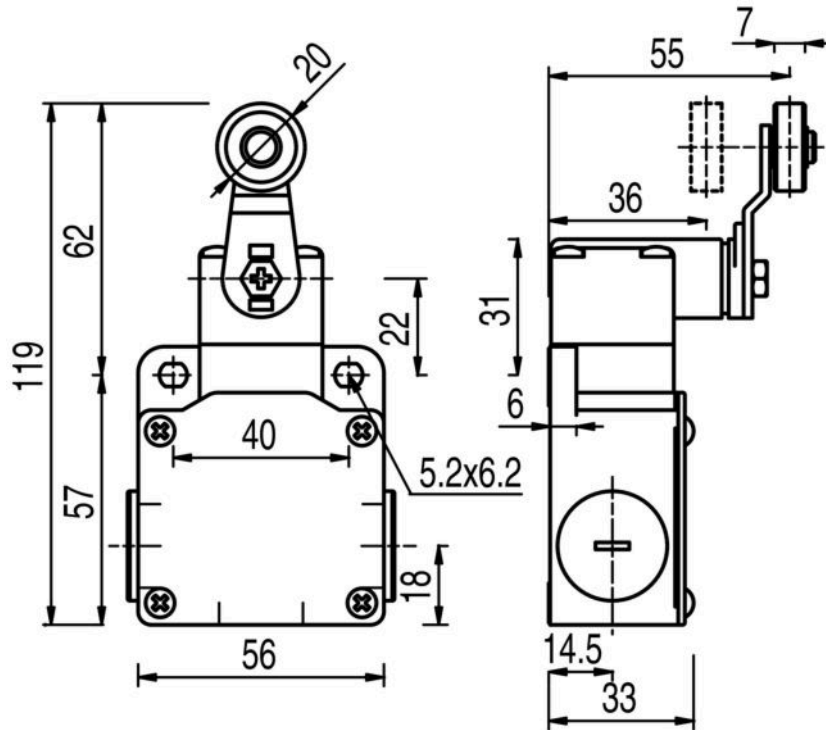
Degree of protection	IP 67
Certifications	c UL US IMQ

### Classification

Customs tariff number	85369095
eCl@ss 8.0	27272601
eCl@ss 9.0	27272601
ETIM 5.0	EC000030
ETIM 6.0	EC000030

## Dimensioned drawings

All dimensions in millimeters

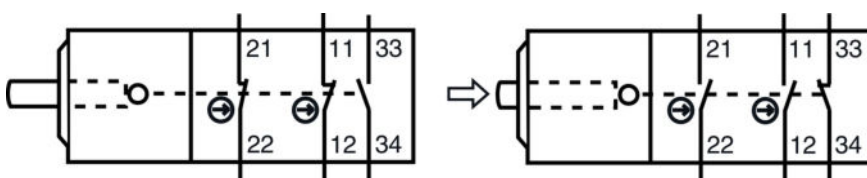


### Electrical connection

Connection 1	
Type of connection	Terminal
Function	Contact connection
Type of terminal	Screw terminal
No. of pins	6 -pin

Terminal	Assignment
11	NC(1)
12	NC(1)
21	NC(2)
22	NC(2)
33	NO(1)
34	NO(1)

### Circuit diagrams



## Notes

### Observe intended use!

- The product may only be put into operation by competent persons.
- Only use the product in accordance with its intended use.