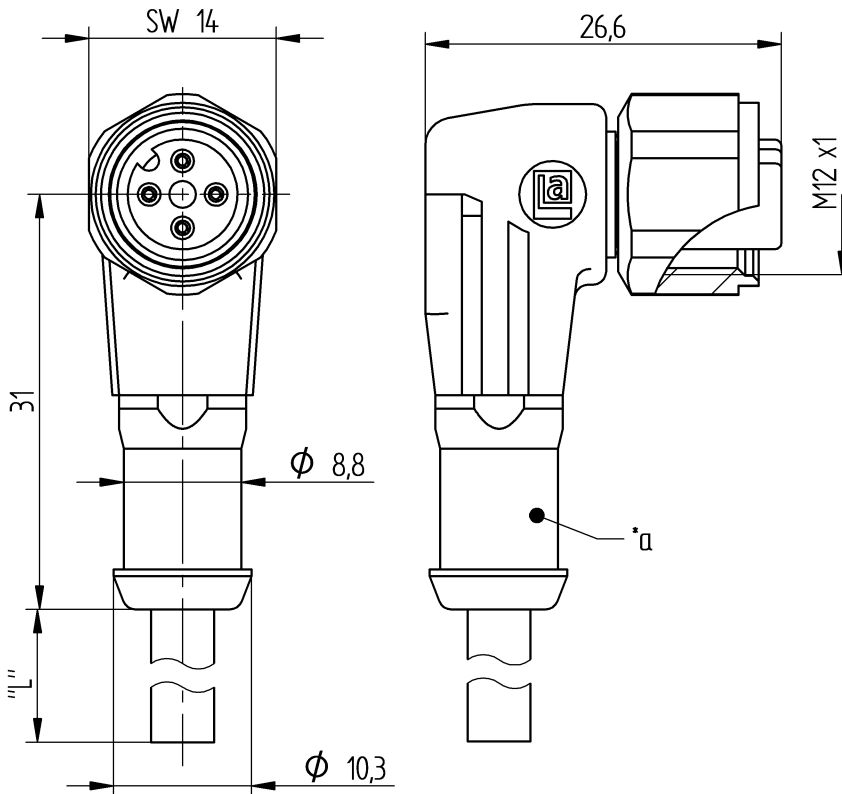
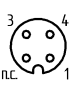

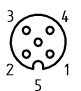



RoHS ✓ 



Typ/ type	Standard - Kontaktbelegung/ standard contact assignment	
	Polzahl/ number of	Farbkennung/ color code
WRKWT 4-3..	3 	1 = braun / brown 2 = n.c. 3 = blau / blue 4 = schwarz / black
WRKWT 4..	4 	1 = braun / brown 2 = weiß / white 3 = blau / blue 4 = schwarz / black
WRKWT 5..	5 	1 = braun / brown 2 = weiß / white 3 = blau / blue 4 = schwarz / black 5 = grau / grey
WRKWT 8....	8 	1 = weiß / white 2 = braun / brown 3 = grün / green 4 = gelb / yellow 5 = grau / grey 6 = rosa / pink 7 = blau / blue 8 = rot / red

The information/details in this datasheet merely contain general descriptions or performance factors which, when applied in an actual situation, do not always correspond with the described form, and may be amended by way of the further development of products. The desired performance factors shall only be binding if these are expressly agreed on conclusion of the contract.



Product description

- M12 angled female connector with molded cable
- body allows hose mounting

Type	WRKWT ..., see standard products
Type of contacts	female
Number of contacts	3, 4, 5, 8
Standard	IEC 61076-2-101
Construction type	MF

Technical data

Rated voltage	3, 4 pins 250V (UL: 30V)
	5 pins 60V (UL: 30V)
	8 pins 30V
Rated current *	3 to 5 pins 4 A
	8 pins 2 A
Rated impulse voltage	3, 4 pins 2,5 kV
	5 pins 1,5 kV
	8 pins 0,8 kV
Insulation resistance	> 10 ⁹ Ohm
Contact resistance	≤ 5 mOhm
Pollution degree	3 acc. to DIN EN 60664-1 (VDE 0110-1)

* Derating beachten

Materials

Contact	Cu-alloyed
Contact plating	Cu/Au
Contact bearer	PP, white
over molding	PP, white
Hexagon screw	V4A
O-ring	EPDM
Cable	TPE

Environmental conditions

Protection class (IEC 60529) *

IP67 / IP68 / IP69K

Temperature range

-40°C bis +105°C**, notice derating ***

Good chemical resistance.

The resistance has to be checked in individual cases.

Resistance against following detergents:

- P3-topactive 200 (ECOLAB)
- P3-topactive 52 (ECOLAB)
- P3-topactive 990 (ECOLAB)
- P3-topactive 66 (ECOLAB)
- P3-topactive OKTO (ECOLAB)
- calgonit AF 104
- calgonit SMO
- calgonit Jalu Sauer Plus
- calgonit NF 5401
- calgonit SF 504
- calgonit DS 5614
- P3-oxonia (ECOLAB)
- peracetic acid solution
- demineralized water

high shock and vibration resistance

* only if mounted and locked in combination with Hirschmann / Lumberg connector.

** M12 8-pins +90°C, +105°C on request

*** Temperature resistance of the cable considered separately

Approvals

UL

UL-file no. E315587

UL temperature range +90°C

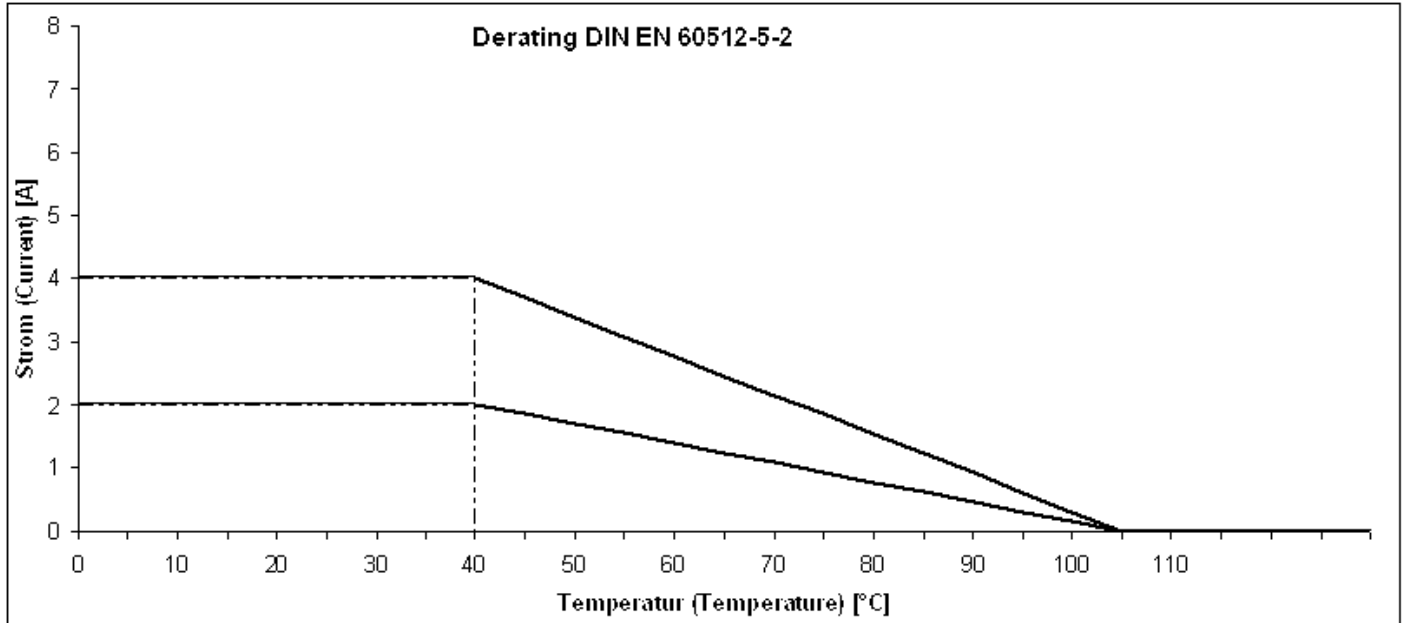
ECOLAB

Cutline

Do not connect or disconnect under load.

*a hose mounting

Further technical information on control line see 197520000, 197521000, 197522000 und 197523000



Standard products

Artikel-No.	Type
934-734-001	WRKWT 4-3-520/2 M
934-734-002	WRKWT 4-3-520/5 M
934-734-003	WRKWT 4-3-520/10 M
934-734-004	WRKWT 4-3-520/15 M
934-734-005	WRKWT 4-3-520/20 M
934-734-006	WRKWT 4-3-520/25 M
934-734-007	WRKWT 4-521/2 M
934-734-008	WRKWT 4-521/5 M
934-734-009	WRKWT 4-521/10 M
934-734-010	WRKWT 4-521/15 M
934-734-011	WRKWT 4-521/20 M
934-734-012	WRKWT 4-521/25 M
934-734-013	WRKWT 5-522/2 M
934-734-014	WRKWT 5-522/5 M
934-734-015	WRKWT 5-522/10 M
934-734-016	WRKWT 5-522/15 M
934-734-017	WRKWT 5-522/20 M
934-734-018	WRKWT 5-522/25 M
934-734-019	WRKWT 8-523/2 M
934-734-020	WRKWT 8-523/5 M
934-734-021	WRKWT 8-523/10 M
934-734-022	WRKWT 8-523/15 M
934-734-023	WRKWT 8-523/20 M
934-734-024	WRKWT 8-523/25 M