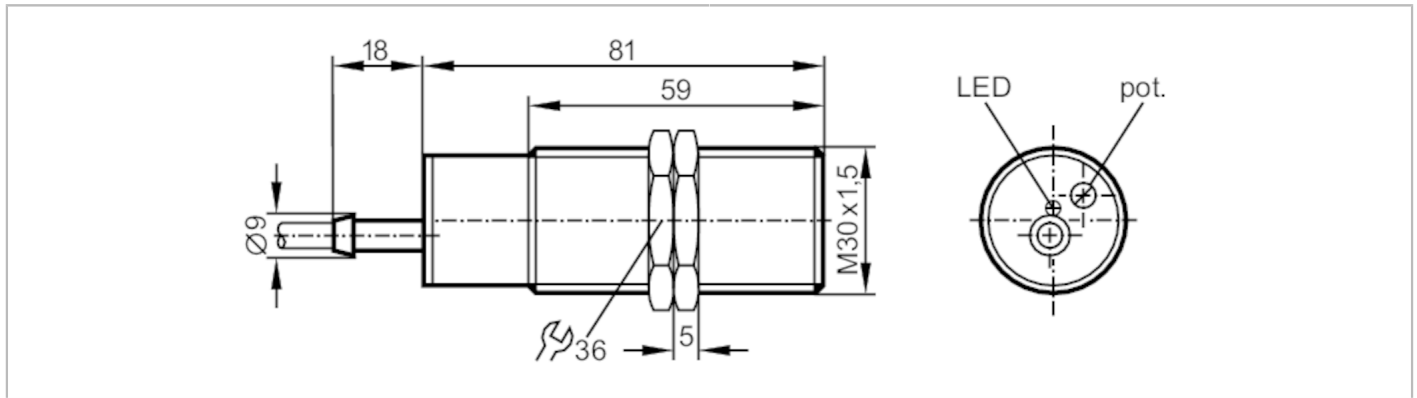


KI5207



Capacitive sensor

KI-3015-FPKG/NI RT



| Product characteristics | |
|--|--|
| Electrical design | PNP |
| Output function | normally open / closed; (selectable) |
| Sensing range [mm] | 3...15 |
| Housing | Threaded type |
| Dimensions [mm] | M30 x 1.5 / L = 81 |
| Electrical data | |
| Operating voltage [V] | 10...36 DC |
| Current consumption [mA] | 13; (24 V) |
| Protection class | II |
| Reverse polarity protection | yes |
| Outputs | |
| Electrical design | PNP |
| Output function | normally open / closed; (selectable) |
| Max. voltage drop switching output DC [V] | 2.5 |
| Permanent current rating of switching output DC [mA] | 250 |
| Switching frequency DC [Hz] | 40 |
| Short-circuit proof | yes |
| Overload protection | yes |
| Monitoring range | |
| Sensing range [mm] | 3...15 |
| Sensing range adjustable | yes |
| Factory setting sensing range [mm] | 15 |
| Real sensing range Sr [mm] | 15 ± 10 % |
| Operating distance [mm] | 0...12.1 |
| Accuracy / deviations | |
| Correction factor | glass: 0.4 / water: 1 / ceramics: 0.2 / PVC: 0.2 |
| Hysteresis [% of Sr] | 1...15 |
| Switch-point drift [% of Sr] | -15...15 |

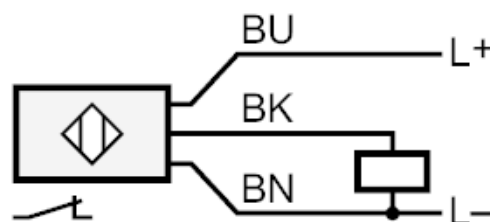
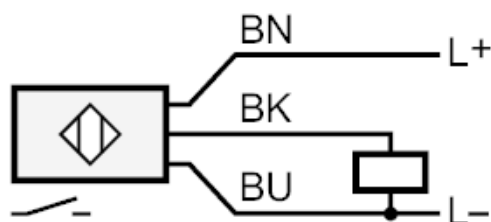
KI5207



Capacitive sensor

KI-3015-FPKG/NI RT

| Operating conditions | | |
|--|------------------|---|
| Ambient temperature [°C] | | -25...70 |
| Protection | | IP 65 |
| Increased immunity | | yes; (Increased immunity to conducted radio frequency interference) |
| Tests / approvals | | |
| EMC | EN 60947-5-2 | |
| MTTF [years] | | 692 |
| Mechanical data | | |
| Weight [g] | | 181 |
| Housing | | Threaded type |
| Mounting | | non-flush mountable |
| Dimensions [mm] | | M30 x 1.5 / L = 81 |
| Thread designation | | M30 x 1.5 |
| Material | | PBT |
| Displays / operating elements | | |
| Display | Switching status | 1 x LED, red |
| Accessories | | |
| Items supplied | | lock nuts: 2 screwdriver: 1 |
| Remarks | | |
| Pack quantity | | 1 pcs. |
| Electrical connection | | |
| Cable: 2 m, PVC; 3 x 0.5 mm ² | | |
| Connection | | |



Core colors :

- BK = black
- BN = brown
- BU = blue